

Weyn-Lauwers N.V.

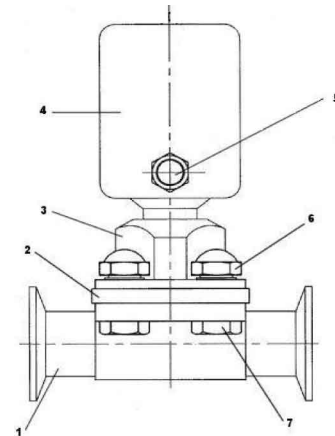
Industriepark-Noord 12
B - 9100 SINT-NIKLAAS

Tel. : 00 32 (0)3 776.34.13
Fax : 00 32 (0)3 778.09.52
weynlauwers@weynlauwers.be
www.weynlauwers.be

**DIAPHRAGM VALVE
SANITARY LINE
CLAMP ENDS - fig 293
PNEUMATIC ACTUATOR**

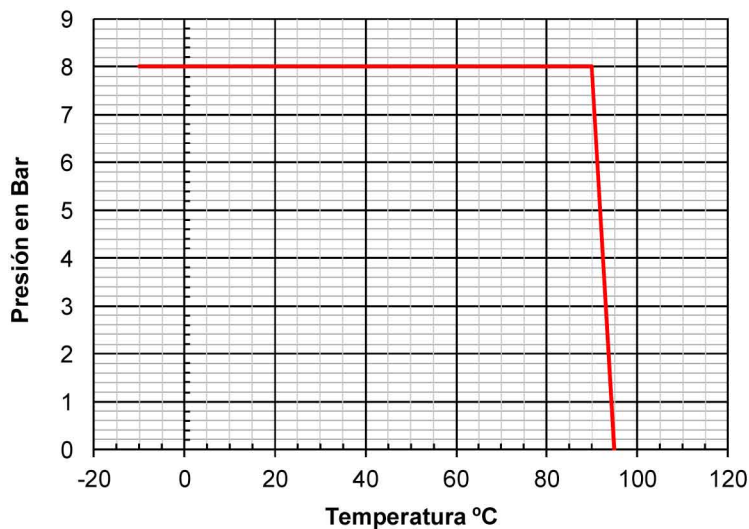
DESIGN FEATURES

- diaphragm valve sanitary line
- clamp ends in inches (BS 4825-3)
- valve body in stainless steel 316L
- actuator body in stainless steel 304
- diaphragm in Silicone
- pneumatic operated, spring return NC
- actuator working pressure 5 - 7 bar
- easy cleaning and assembly
- sanitary polish Ra < 0,8 micron
- flow direction : Bi-directional
- max. working pressure 6 - 8 bar
- max. working temperature 95°C



MATERIALS

item	Part name	Material
1	body	SS 316L
2	Diaphragm	Silicone
3	cap	SS 304
4	actuator	SS 304
5	connector	
6	nut	SS 304
7	bolt	SS 304



SIZE (in mm)

DN	1"	1 1/2"	2"
A	160	200	230
B	129	159	191
C	50,5	50,5	64
kg	3,10	7,25	8,80
ref.	293.06	293.08	293.09

